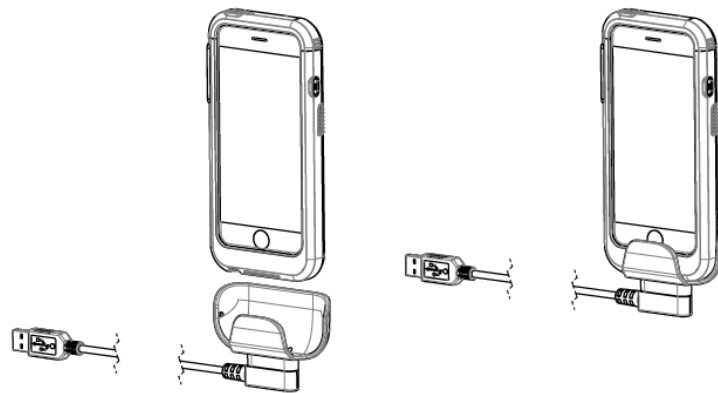
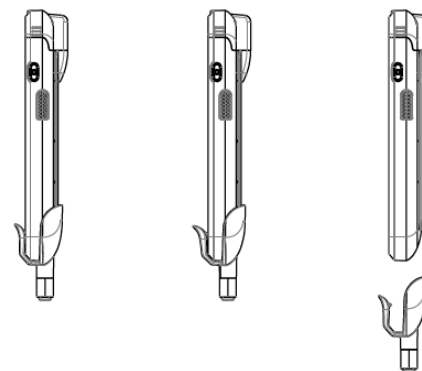


**Installation**



**Removal**



**Linea Pro® 6  
Charging Cup**

**QUICK START GUIDE**

**GETTING STARTED**

**PRODUCT SPECIFICATIONS**

**INSTALLATION**

The following table describes Linea Pro 6 Charging Cup specifications.

1. Ensure environmental conditions are within appropriate operating specifications for the charger, as well as for the Linea Pro 6 and iOS device.
2. Clip the charging cup onto the bottom of Linea Pro 6 device and check that cup is properly aligned and fully seated on the bottom of the Linea Pro 6 device.
3. Plug USB connector end of Linea Pro 6 Charging Cup into appropriate power supply (5.2V 2.4A, not included).
4. Confirm that the Linea Pro 6 LED indicator turns green to indicate charging is active.

Mechanical		
Compatibility	Linea Pro 6 Standard with iPhone 6	Linea Pro 6 Rugged Case with iPhone 6
Weight	56 g (1.98 oz.)	58 g (2.05 oz.)
Dimensions	82.4 mm x 57.9 mm x 29.9 mm (3.24" x 2.28" x 1.18")	89 mm x 64.7 mm x 35.7 mm (3.50" x 2.55" x 1.41")
Cable Length	3'	
Electrical		
Connector	USB A	
Input	5.2V 2.4A DC	
Environmental		
Operating Temperature	32°F to 95°F (0°C to 35°C)	
Storage Temperature	-4°F to 113°F (-20°C to 45°C)	

**Note:** Refer to Installation Diagram above.

**REMOVAL**

1. Grip the bottom of the cup with palm of hand.
2. Pull down on the rear tab with fingertips to unlock cup from device.
3. Separate the charging cup from the device.

**Note:** Refer to Removal Diagram above.

