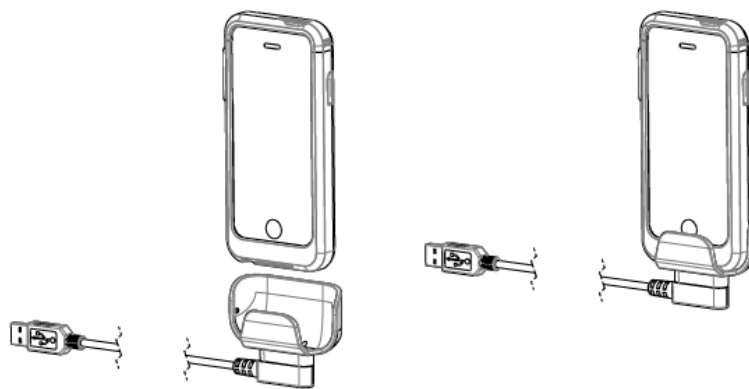


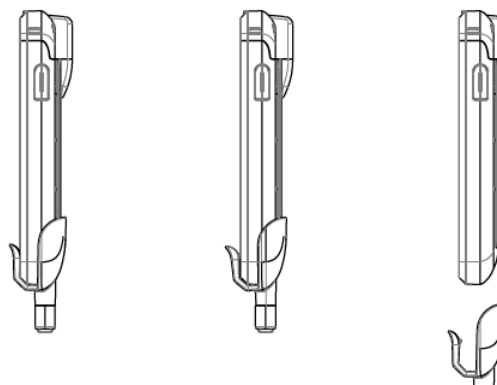
## Installation



# Linea Pro<sup>®</sup> 5 Charging Cup

QUICK START GUIDE

## Removal



## GETTING STARTED

## PRODUCT SPECIFICATIONS

### INSTALLATION (See Installation Diagram)

The following table describes Linea Pro 5 Charging Cup specifications.

1. Ensure that the environmental conditions are within appropriate operating specifications for the charger, as well as for the Linea Pro 5 and iOS device.
2. Clip the charging cup onto the bottom of Linea Pro 5 device and check that cup is properly aligned and fully seated on the bottom of the Linea Pro 5 device.
3. Plug USB connector end of Linea Pro 5 Charging Cup into appropriate power supply (5.2V 2.4A, not included).
4. Confirm that the Linea Pro 5 LED indicator turns green to indicate charging is active.

Mechanical		
Compatibility:	Linea Pro 5 Standard with - iPod 5th generation - iPhone 5	Linea Pro 5 w/Rugged Case with - iPod 5th generation - iPhone 5
Weight:	56 g (1.98 oz.)	57 g (2.01 oz.)
Dimensions:	74.4 mm x 57.9 mm x 29.3 mm (2.93" x 2.28" x 1.15")	80.8 mm x 63.4 mm x 35.1 mm (3.18" x 2.50" x 1.38")
Cable Length:	3'	
Electrical		
Connector:	USB A	
Input:	5.2V 2.4A DC	
Environmental		
Operating Temperature:	32°F to 95°F (0°C to 35°C)	
Storage Temperature:	-4°F to 113°F (-20°C to 45°C)	

### REMOVAL (See Removal Diagram)

1. Grip the bottom of the cup with palm of hand.
2. Pull down on the rear tab with fingertips to unlock cup from device.
3. Separate the charging cup from the device.

