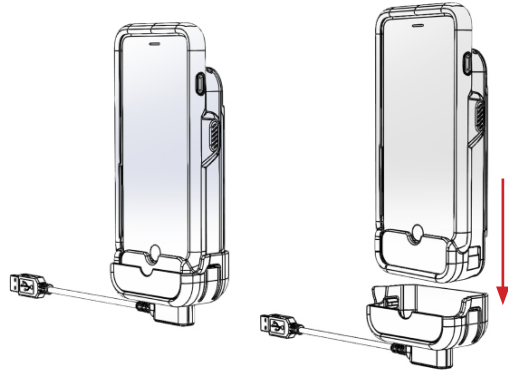
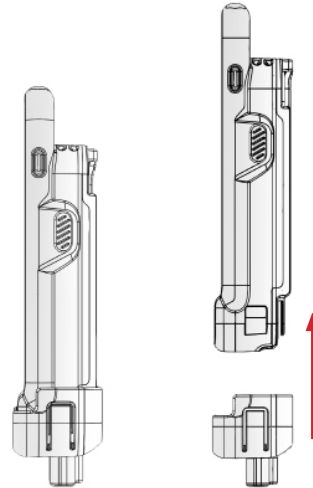


Installation



Removal



Infinea® mPOS Plus with FlexCase Charging Cup

QUICK START GUIDE

GETTING STARTED

1. Gently insert the bottom of the device into the charging cup, ensuring the unit is seated upright so that proper contact is made with the charging pins.
2. Plug USB connector end of the charging cup into an appropriate power supply (5V 2.4A, not included).
3. Confirm LED indicator on the Infinea mPOS Plus turns green to indicate charging is active.

PRODUCT SPECIFICATIONS

Mechanical	
Compatibility:	Infinea mPOS Plus with FlexCase
Weight:	94g (3.32 oz.)
Dimensions:	91mm x 46mm x 45mm (3.58" x 1.81" x 1.77")
Cable Length:	0.8m (32")
Electrical	
Connector:	USB A
Input:	5V 2.4A via USB charger (not included)
Environmental	
Operating Temperature:	-10°C to +40°C (14°F to 104°F)
Storage Temperature:	-15°C to 50°C (5°F to 122°F)
Relative Humidity:	5% to 90% Relative Humidity

